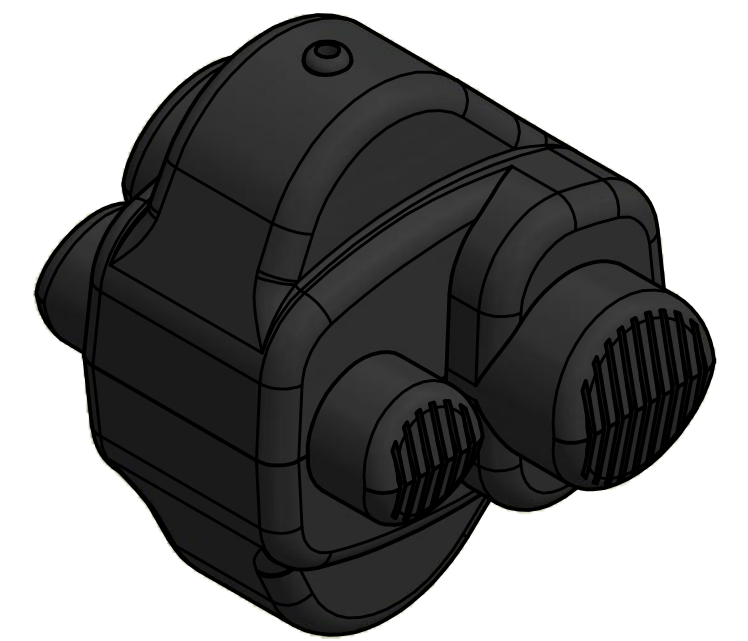
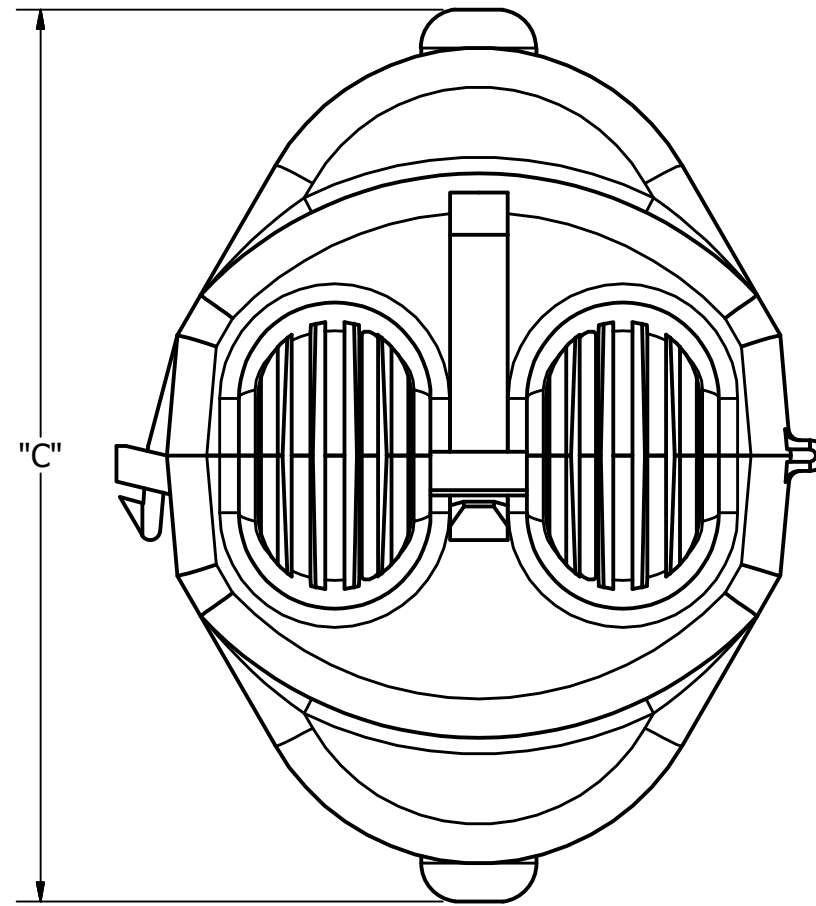
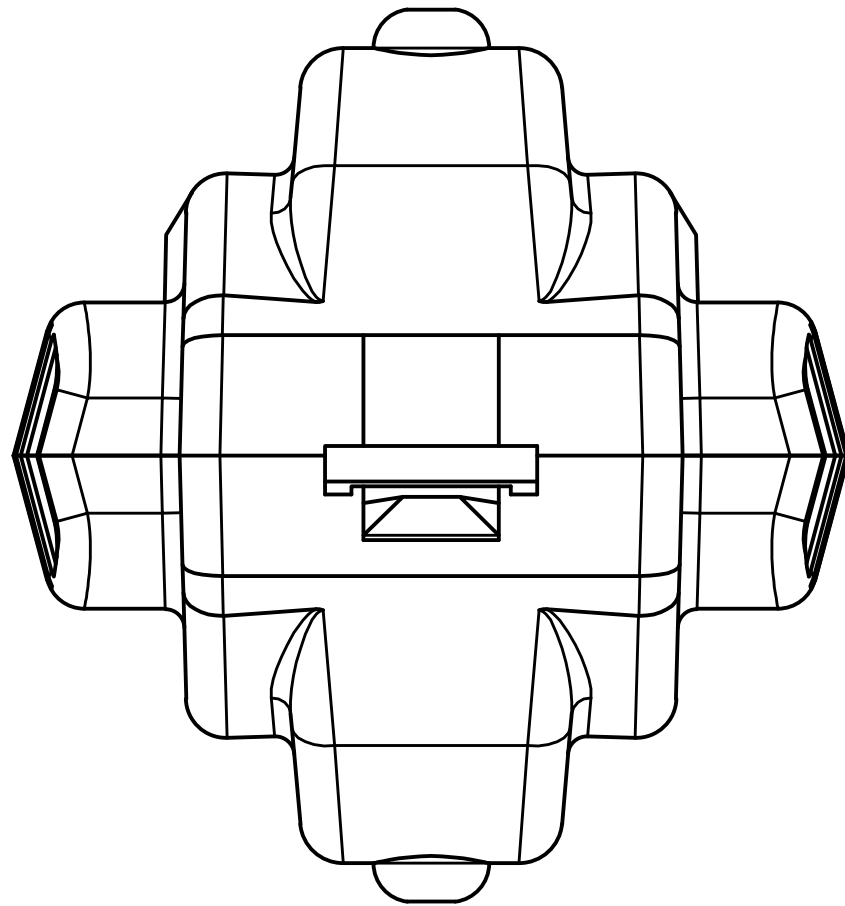
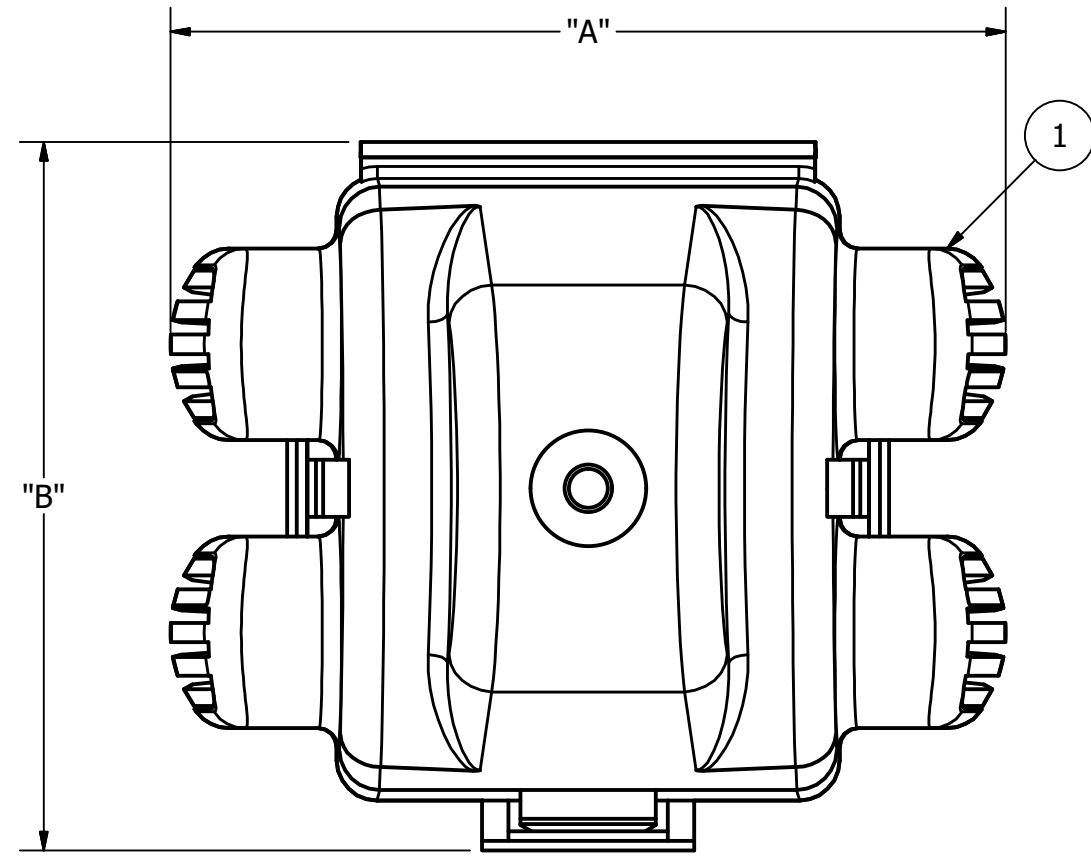


CATALOG NUMBER	DIM "A"	DIM "B"	DIM "C"	DESCRIPTION	WEIGHT	STANDARD PACK
PTC51	2.7 [69.58]	2.3 [58.42]	2.9 [73.66]	FOR USE ON CENTER BOLT CONNECTORS LC-51A, LC-51C, LC52A, LC511A AND LC-522A	.052 [0.02]	100
PTC52	3.4 [86.36]	2.5 [63.5]	3.5 [88.9]	FOR USE ON CENTER BOLT CONNECTORS LC-52C, LC-81A, LC-811A, LC-542	.082 [0.04]	100

ITEM	DESCRIPTION	MATERIAL
1	SNAP TAP™ PLASTIC COVER	POLYETHYLENE



NOTES:

- ALL DIMENSIONS FOR REFERENCE ONLY. DISTANCE IN. [MM], FORCE LBS. [KN], TORQUE IN. LBS. [N.M], & WEIGHT LBS. [KG].
- RATINGS:
 - UV RESISTANT
- CERTIFICATIONS, SPECIFICATIONS, & STANDARDS:
 - NA
- SUFFIXS & VARIANT CONFIGURATION:
 - NA

79093	07/03/19	HD	RG	HPS.	HUBBELL® POWER SYSTEMS
EC #	DATE	CHG BY	RESP ENG		
DESC OF DWG: INITIAL RELEASE NEW CC TEMPLATE				CONFIDENTIAL: THIS DRAWING AND ITS CONTACTS ARE CONFIDENTIAL AND THE EXCLUSIVE PROPERTY OF HUBBELL POWER SYSTEMS. NO PUBLICATION, DISTRIBUTION OR COPIES MAY BE MADE WITHOUT THE WRITTEN CONSENT OF HUBBELL POWER SYSTEMS. HUBBELL POWER SYSTEMS UNPUBLISHED ALL RIGHTS RESERVED UNDER THE COPYRIGHT LAWS	TITLE PTC SNAP TAP™ PLASTIC COVER
REASON (S) FOR CHANGE: DISPOSITION OF MAT'L:					SIZE C DWG NO. CC-26218 CAT / PART / ASSY NO. SEE TABLE REV 00
				DO NOT SCALE THIS DRAWING	DRN BY HD DATE 07/03/19 SHEET 1 OF 1